



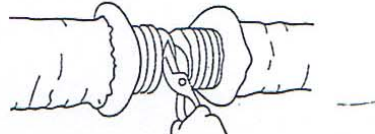
*610i: Mechanical Inspection I: Applications of the Uniform Mechanical Code*

## Installation Instructions for Nonmetallic Air Ducts with Plain Ends

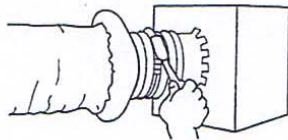
### Appendix A, UMC Standard

#### (a) Connections

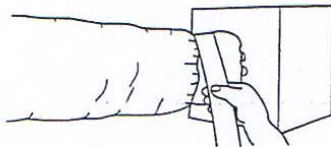
1. After the desired length is determined, cut completely around and through duct with a knife. Cut the wire with snips or side cutters.



2. Pull back the jacket and insulation from the core. Slide at least one (1) inch (25.4 mm) of core over collar, pipe or fitting. Tape with at least 2 wraps of approved duct tape. Secure with approved clamp.



3. Pull the jacket and insulation back over the cores. Tape the jackets together with two wraps of approved duct tape.



**Notes:**

- a. For uninsulated duct/connector, disregard reference to insulation and jacket.
- b. See manufacturer's installation instructions for approved tapes and clamps.
- c. Use beaded fittings for pressures exceeding four (4) inches W.G (995 Pa) and for diameters twelve (12) inches (305 mm) and larger.

B-925

#### Section 6.509 Supporting Flexible Duct

- a) Flexible duct shall be supported at manufacturer's recommended intervals, but at no greater distance than four (4) feet (1219 mm). Maximum permissible sag is 1/2-inch per foot (42 mm/m) of spacing between supports.

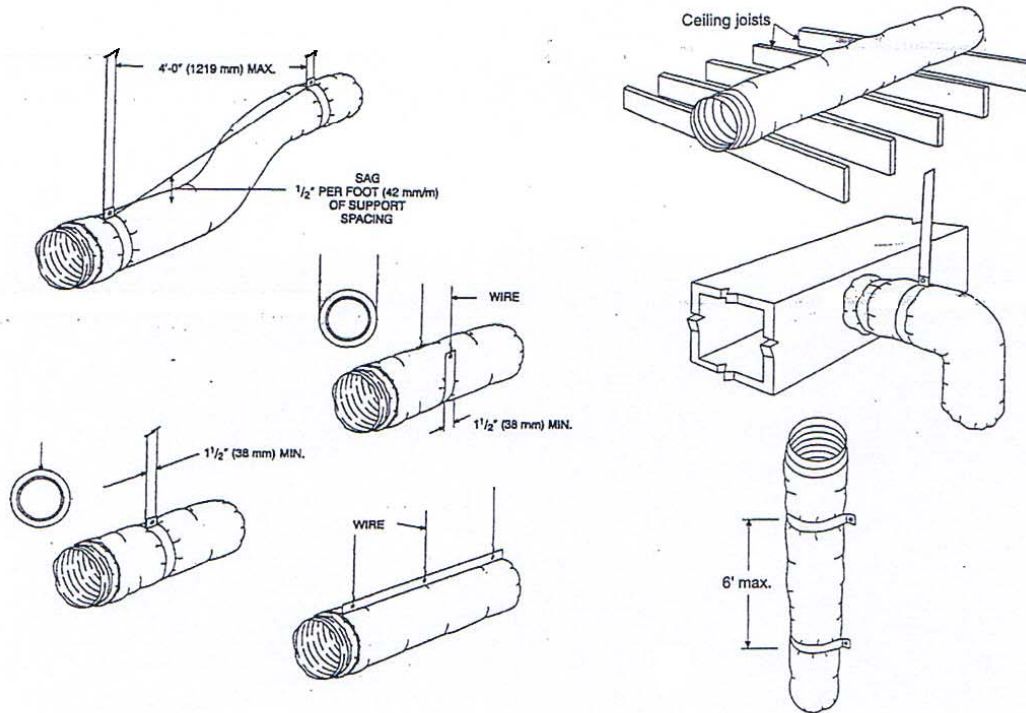
A connection to rigid ducting or equipment shall be considered a support joint.

Long horizontal duct runs with sharp bends shall have additional supports before and after the bend approximately one duct diameter distance from the center line of the bend.

*610i: Mechanical Inspection I: Applications of the Uniform Mechanical Code*

## Installation Instructions for Nonmetallic Air Ducts with Plain Ends

### Appendix A, UMC Standard



b) Hanger or saddle material in contact with the flexible duct shall be of sufficient width to prevent any restriction of the internal diameter of the duct when the weight of the supported section rests on the hanger or saddle material. In no case will the material contacting the flexible duct be less than 1-½ inches (38 mm) wide.

c) Factory-installed suspension systems integral to the flexible duct are an acceptable alternative hanging method when manufacturer's recommended procedures are followed.

d) Flexible ducts may rest on ceiling joists or truss supports. Maximum spacing between supports shall not exceed the maximum spacing per manufacturer's installation instructions.

e) Support the duct between a metal connection and a bend by allowing the duct to extend straight for a few inches before making the bend. This will avoid possible damage of the flexible duct by the edge of the sheet metal collar.

f) Vertically installed duct shall be stabilized by support straps at a maximum of six (6) feet (1829 mm) on center.

(Note: Factory-made air ducts may not be used for vertical risers in air duct systems serving more than two stories. See UMC Section 604.2)