



RETAINING WALL (4'-0" HIGH OR LESS)

Effective: 6-15-12
Revised:
Sheet 1 of 1

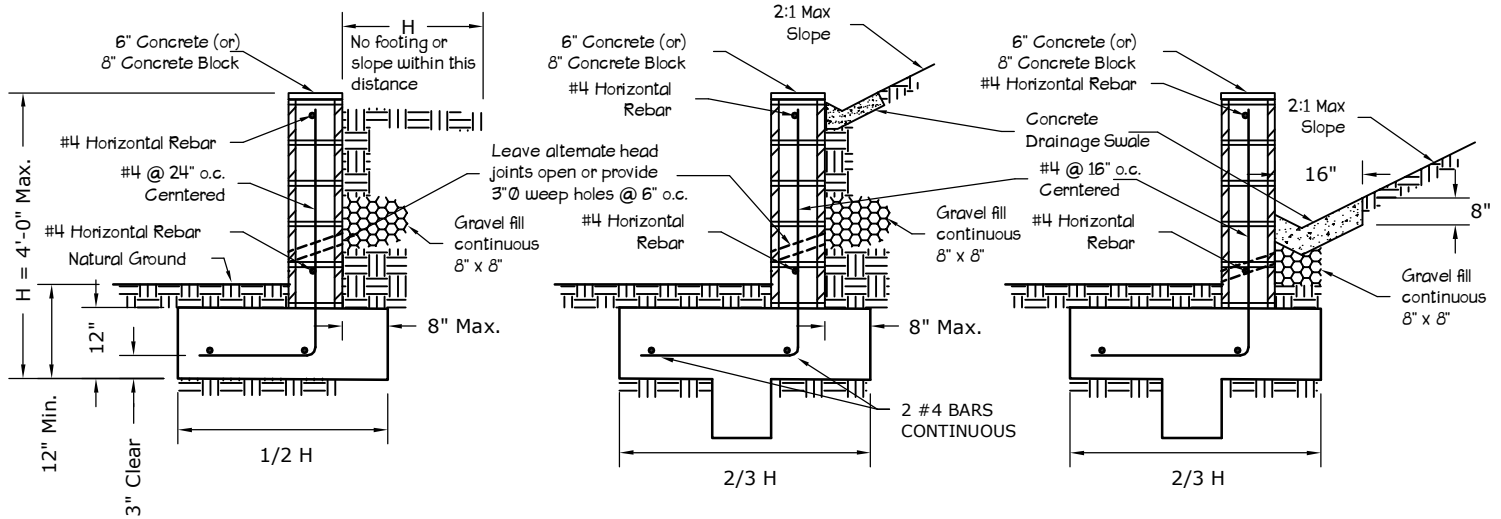


FIGURE 1

FIGURE 2

FIGURE 3

These walls are designed for the average condition and may not be suitable in all cases. Where the proposed wall construction is extensive, a licensed civil or structural engineer should be consulted.

1. All footings to be 12" into natural ground.
2. Concrete mix for footing and for concrete wall to be 2500 psi minimum, or if site mixed: 1 part Portland cement, 2 parts sand, 3 parts 1" rock with a maximum of 7 gallons of water per sack of cement.
3. Grout mix for concrete block wall to be 2000 psi, 1 part Portland cement, to 3 parts sand to which may be added not more than 1/10 part lime. Sufficient water to be added to produce consistency for pouring without segregation of the constituents. Grout may contain pea gravel to a maximum size of 3/8".
4. Mortar mix for concrete blocks to be 1 part cement to 1/4 lime putty or hydrated lime to 3% parts damp loose sand.
5. Concrete block units to be standard 8"x8"x16" units conforming to ASTM C55.
6. Reinforcing steel shall be deformed steel conforming to ASTM Specification A-615, Grade 40. Lap all steel 16"
7. Concrete block units to be staggered (running bond).
8. Concrete block units to have vertical continuity of the cells unobstructed. All cells containing reinforcing to be filled solid with grout.
9. All surface drainage that is concentrated or re-directed by the walls shall be directed to the public street via non-erosive devices. No cross property drainage is permitted.
10. The walls and the required subdrains shall be within the property and they shall not encroach into the adjacent properties. No grading work is permitted on the adjacent properties.
11. Walls constructed using alternate methods or materials, such as wood, rubble or stacked blocks, including pre-manufactured blocks that are stacked upon each other, are not allowed unless they have a current Research Report from the Engineering Research Section of The Department of Building and Safety.
12. All drainage from the walls and behind the walls shall be directed to the public street via non-erosive devices. No cross property drainage is permitted.