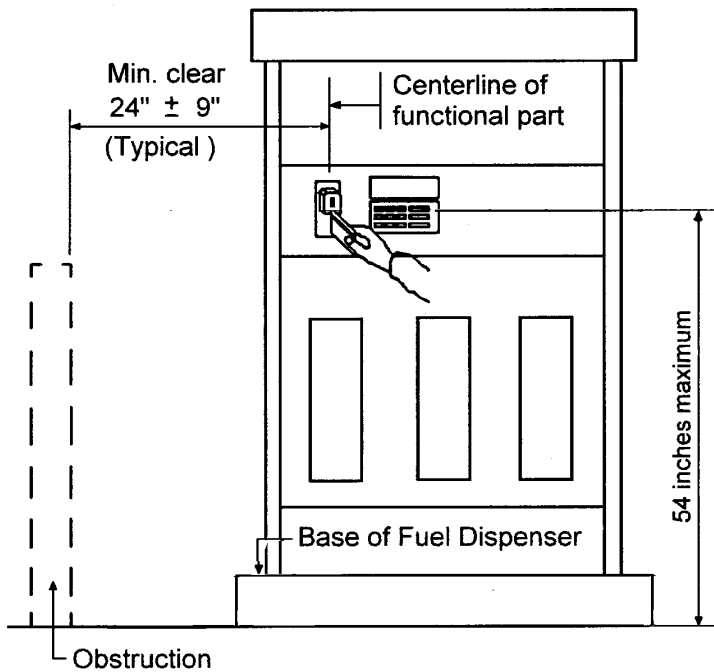




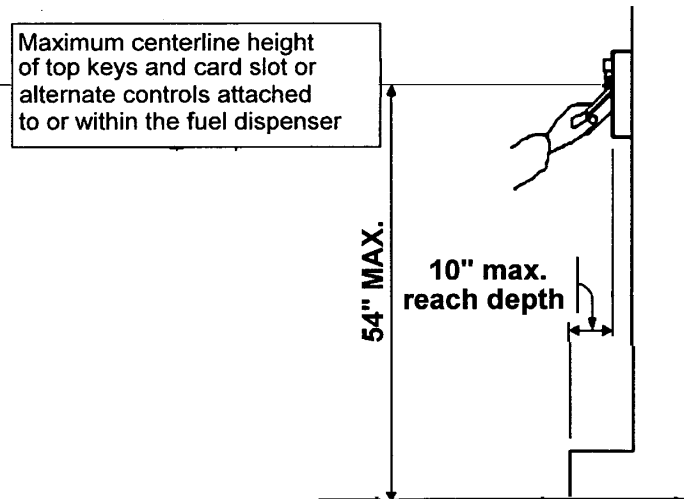
CITY OF HAWAIIAN GARDENS
DEPARTMENT OF COMMUNITY DEVELOPMENT
BUILDING AND SAFETY DIVISION
**ACCESSIBILITY DETAILS FOR CARD READERS,
TELEPHONES, & DRINKING FOUNTAINS**

INFORMATION
BULLETIN
A-008

Effective: 6-15-12
Revised:
Sheet 1 of 3

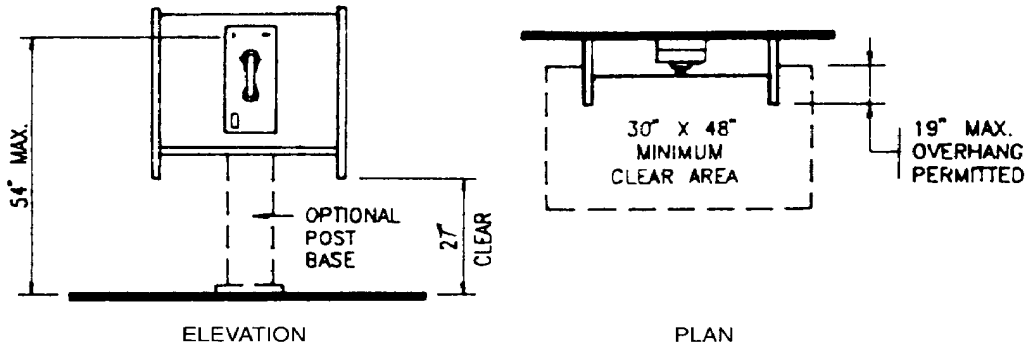


CARD READERS MOUNTED IN FUEL DISPENSERS
FIGURE 11C-1

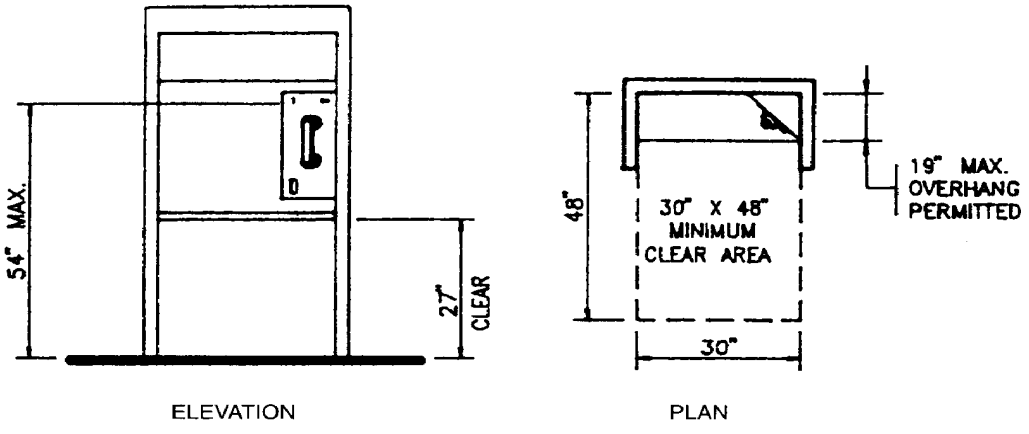


CARD READERS LOCATED ON
FREE-STANDING PEDESTALS
FIGURE 11C-2

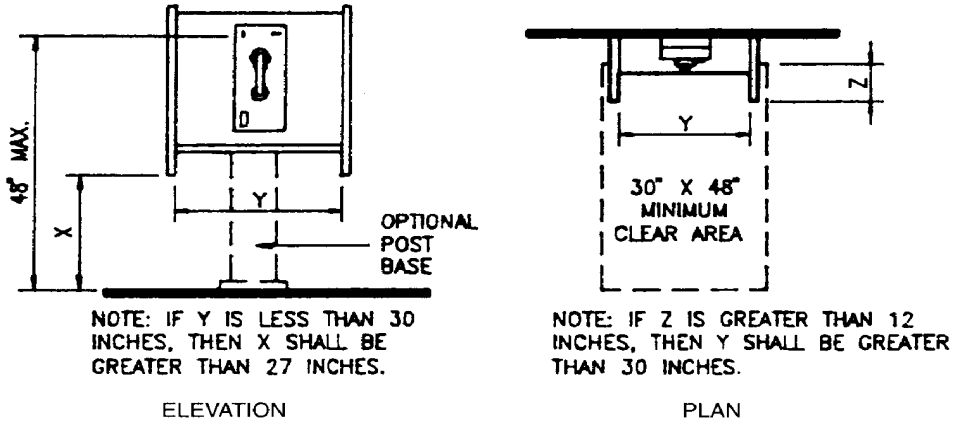
PHONE THESE DIAGRAMS ILLUSTRATE THE SPECIFIC REQUIREMENTS OF THESE REGULATIONS AND ARE INTENDED ONLY AS AN AID FOR BUILDING DESIGN AND CONSTRUCTION.



(a) SIDE REACH ARRANGEMENT



(b) FULL HEIGHT ENCLOSURE



NOTE: IF Y IS LESS THAN 30 INCHES, THEN X SHALL BE GREATER THAN 27 INCHES.

NOTE: IF Z IS GREATER THAN 12 INCHES, THEN Y SHALL BE GREATER THAN 30 INCHES.

(c) FORWARD REACH ARRANGEMENT

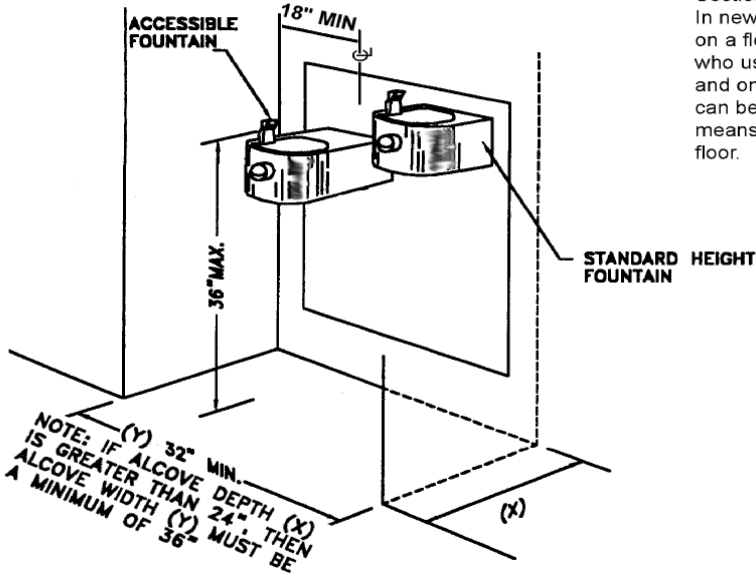
FIGURE 11B-4—MOUNTING HEIGHTS AND CLEARANCES FOR TELEPHONES

DRINKING FOUNTAIN

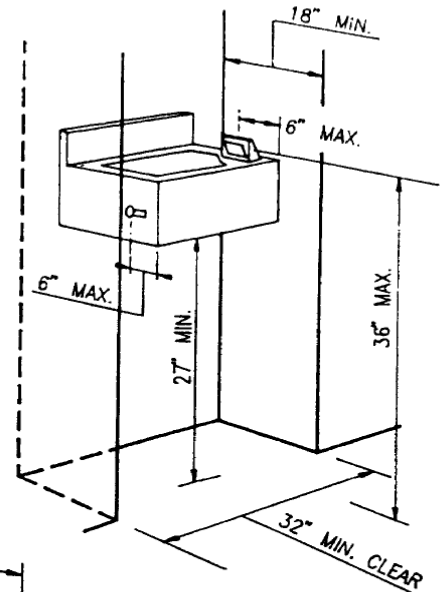
THESE DIAGRAMS ILLUSTRATE THE SPECIFIC REQUIREMENTS OF THESE REGULATIONS AND ARE INTENDED ONLY AS AN AID FOR BUILDING DESIGN AND CONSTRUCTION.

Section 1117B.1.1:

In new construction, where only one *drinking fountain area* is provided on a floor, there shall be a drinking fountain that is accessible to individuals who use wheelchairs in accordance with Plumbing Code Section 1507.0 and one accessible to those who have difficulty bending or stooping. This can be accommodated by the use of "hi-low" fountains, or by such other means as would achieve the required accessibility for each group on each floor.



HIGH -LOW DRINKING FOUNTAINS



(a) ALCOVE INSTALLATION

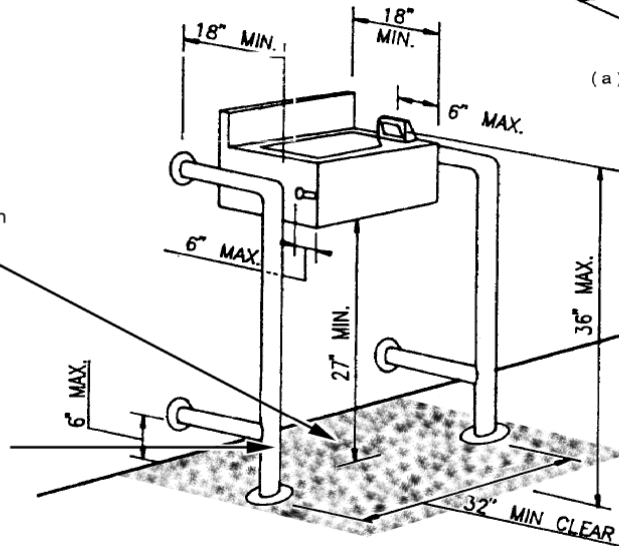
Section 1117B.1.2

For existing drinking fountains: when the enforcing agency determines that it would create an unreasonable hardship to locate the water fountain in an alcove, the water fountain may project into the path of travel, and the path of travel shall be identifiable to the blind as follows:

1. The surface of the path of travel at the water fountain shall be textured so that it is clearly identifiable by a blind person using a cane. The minimum textured area shall extend from the wall supporting the fountain to 1 foot beyond the front edge of the water fountain and shall extend 1 foot beyond each side of the water fountain.

or

2. Wing walls shall be provided on each side of the water fountain. The wing walls shall project out from the supporting wall at least as far as the water fountain to within 6 inches of the surface of the path of travel. There shall also be a minimum of 32 inches clear between the wing walls.



(b) NONALCOVE, WING WALL INSTALLATION

FIGURE 11B -3 -DRINKING FOUNTAINS