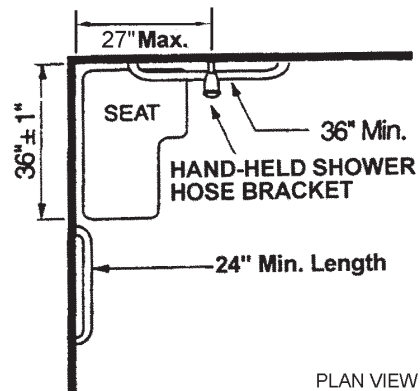
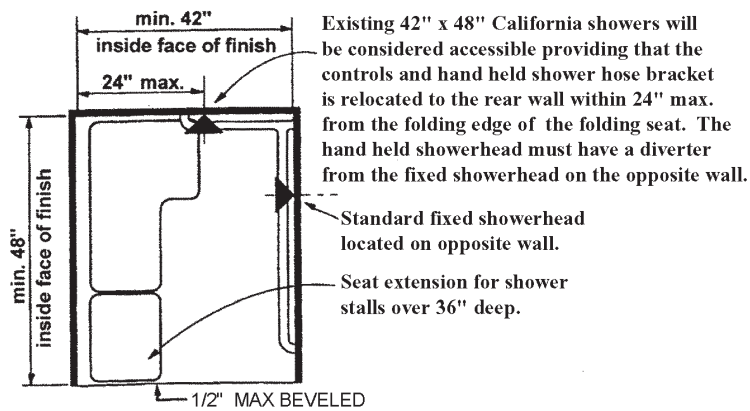
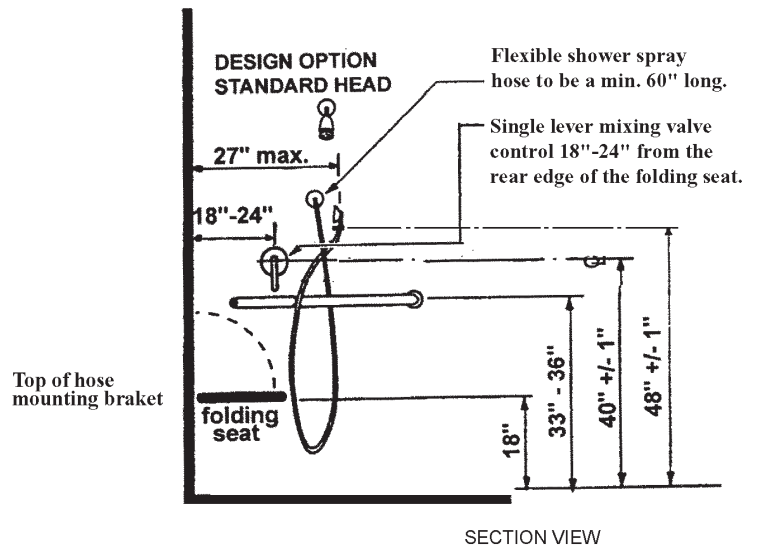
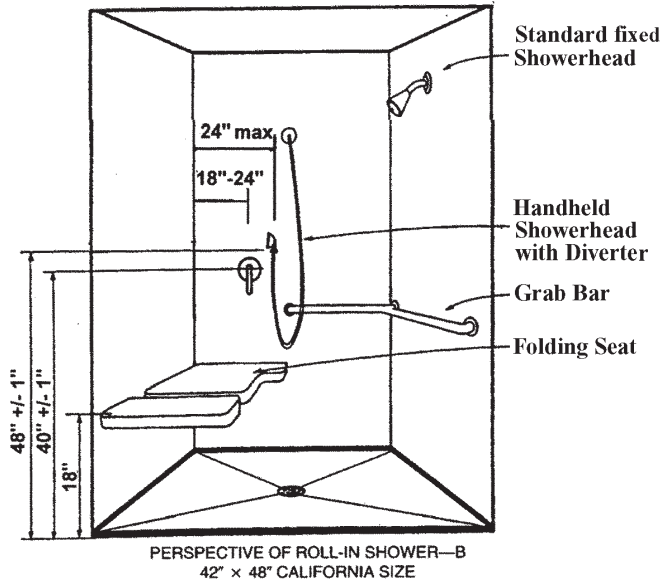




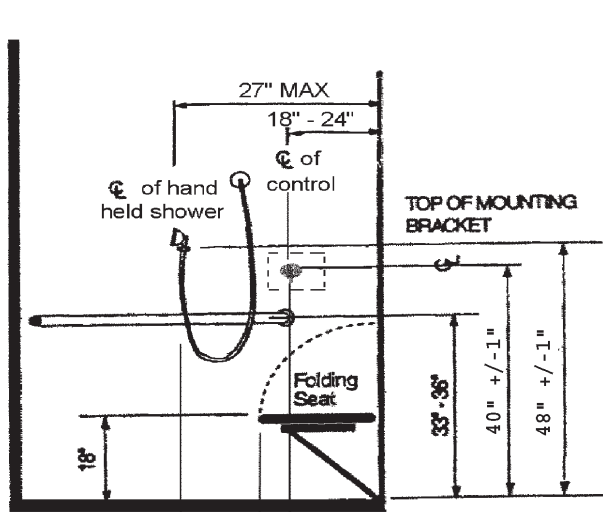
CITY OF HAWAIIAN GARDENS  
 DEPARTMENT OF COMMUNITY DEVELOPMENT  
 BUILDING AND SAFETY DIVISION  
**ACCESSIBILITY DETAILS FOR  
 TUBS AND SHOWERS**

INFORMATION  
 BULLETIN  
**A-005**

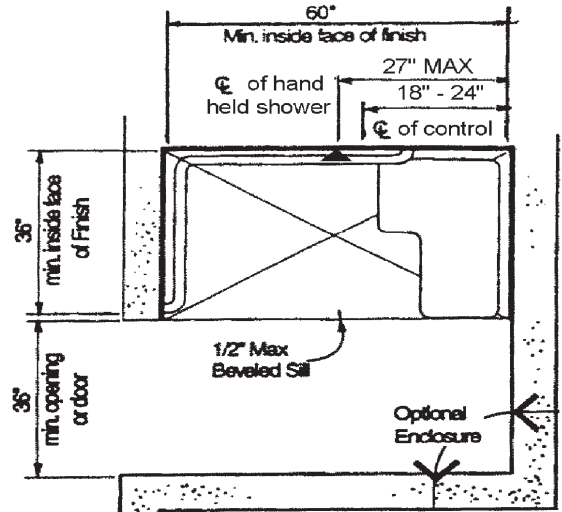
Effective: 6-15-12  
 Revised:  
 Sheet 1 of 3



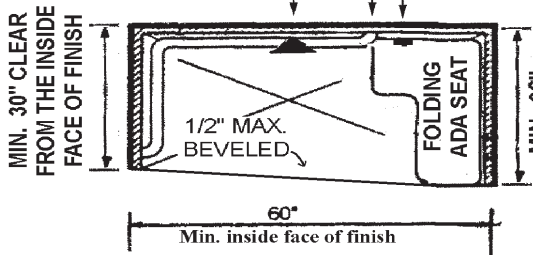
**TUBS AND SHOWERS** THESE DIAGRAMS ILLUSTRATE THE SPECIFIC REQUIREMENTS OF THESE REGULATIONS AND ARE INTENDED ONLY AS AN AID FOR BUILDING DESIGN AND CONSTRUCTION.



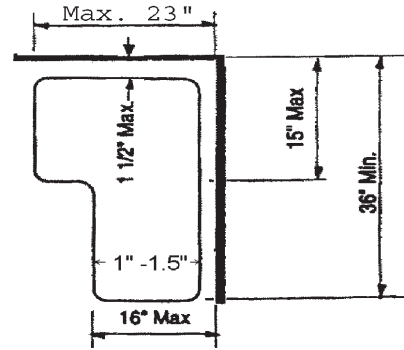
ELEVATION OF SHOWER TYPICAL FOR A-C



PLAN VIEW OF ROLL-IN SHOWER -C 36" X 60" WITH ENCLOSURE



PLAN VIEW OF ROLL-IN SHOWER -A



SHOWER SEAT

FIGURE 11B- 2A- ROLL-IN SHOWER

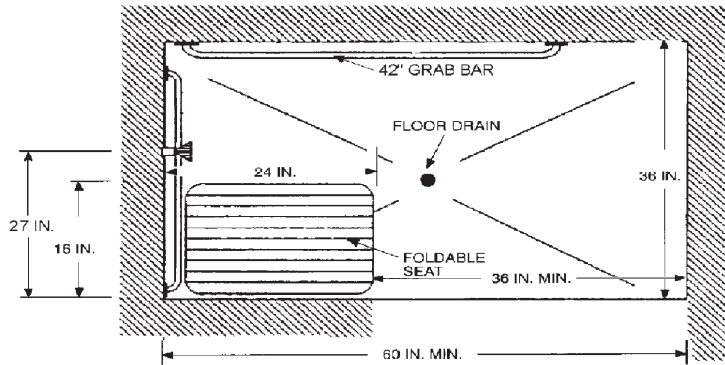
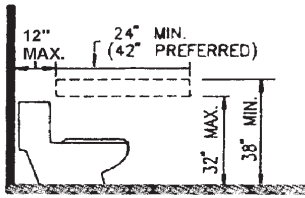


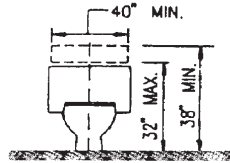
FIGURE 11B -2D-ALTERNATIVE ROLL-IN SHOWER

# TUBS AND SHOWERS

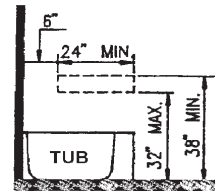
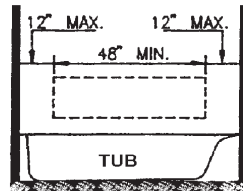
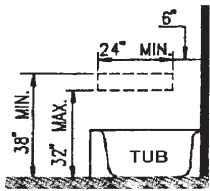
THESE DIAGRAMS ILLUSTRATE THE SPECIFIC REQUIREMENTS OF THESE REGULATIONS AND ARE INTENDED ONLY AS AN AID FOR BUILDING DESIGN AND CONSTRUCTION.



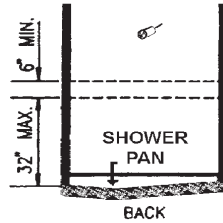
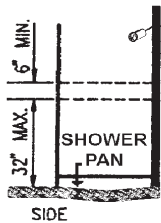
(a) WATER CLOSET IN ADAPTABLE BATHROOMS



NOTE: THE AREA OUTLINED IN DASHED LINES REPRESENT LOCATION FOR FUTURE INSTALLATION OF GRAB BARS

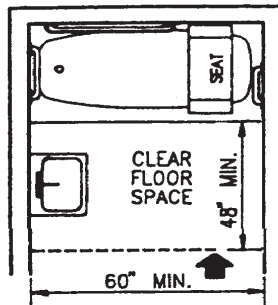


(b) LOCATION OF GRAB BAR REINFORCEMENT FOR ADAPTABLE BATHTUBS

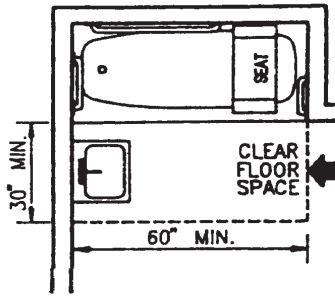


(c) LOCATION OF GRAB BAR REINFORCEMENT FOR ADAPTABLE SHOWERS

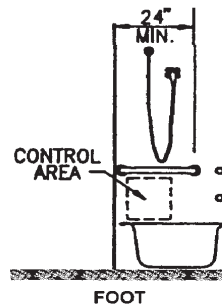
## FIGURE 11B -9A



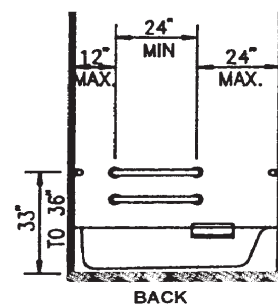
(a) WITH SEAT IN TUB



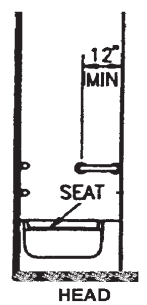
(b) WITH SEAT IN TUB



FOOT

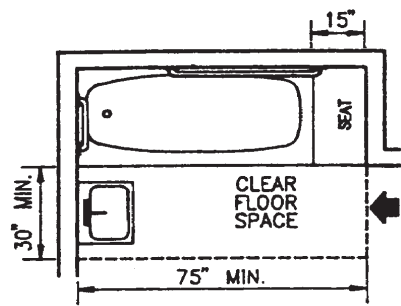


BACK

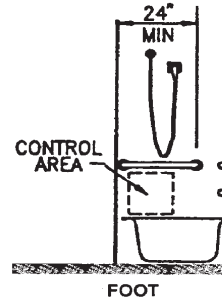


HEAD

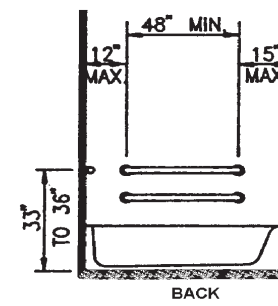
(a) WITH SEAT IN TUB



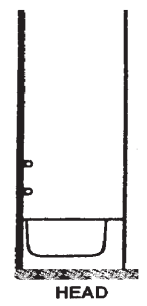
(c) WITH SEAT AT HEAD OF TUB



FOOT



BACK



HEAD

(b) WITH SEAT AT HEAD OF TUB

### FIGURE 11B -8 -CLEAR FLOOR SPACE AT BATHTUBS

### FIGURE 11B -9B -GRAB BARS AT BATHTUBS