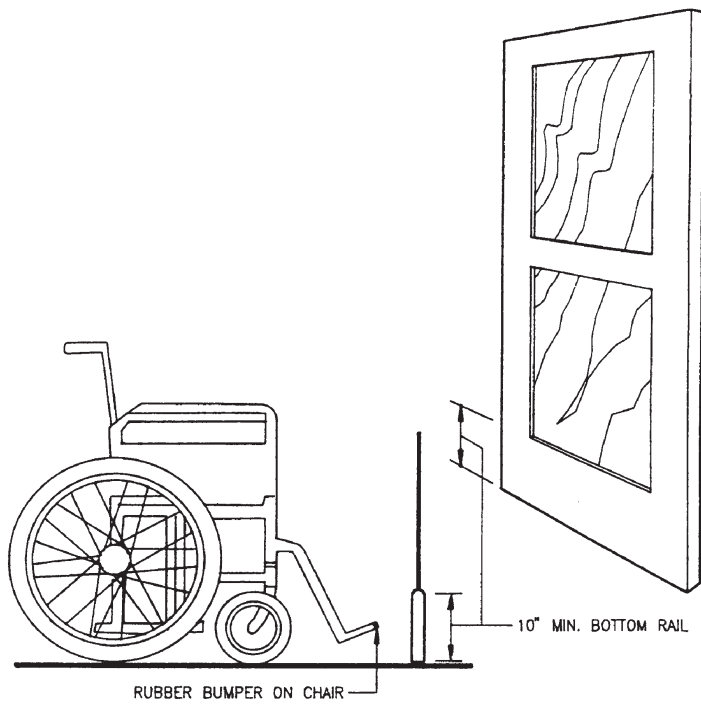




CITY OF HAWAIIAN GARDENS  
 DEPARTMENT OF COMMUNITY DEVELOPMENT  
 BUILDING AND SAFETY DIVISION  
**ACCESSIBILITY DETAILS FOR  
 DOORS & MANEUVERING SPACES**

INFORMATION  
 BULLETIN  
**A-003**

Effective: 6-15-12  
 Revised:  
 Sheet 1 of 4



THIS DIAGRAM ILLUSTRATES THE SPECIFIC REQUIREMENTS OF THESE REGULATIONS AND IS INTENDED ONLY AS AN AID FOR BUILDING DESIGN AND CONSTRUCTION.

FIGURE 11B-29 DOOR CONSTRUCTION

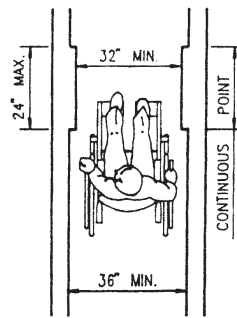


FIGURE 11B-10—MINIMUM CLEAR WIDTH FOR SINGLE WHEELCHAIR

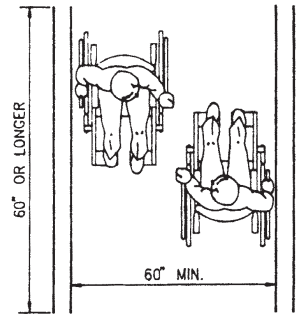
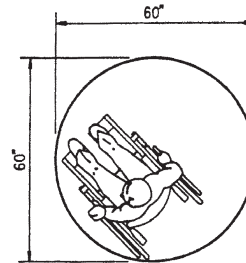
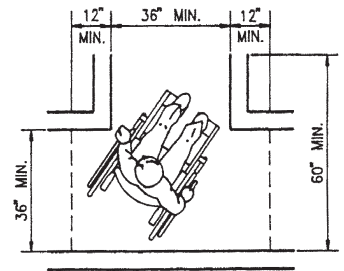


FIGURE 11B-11—MINIMUM CLEAR WIDTH FOR TWO WHEELCHAIRS



(a) 60 INCHES DIAMETER SPACE

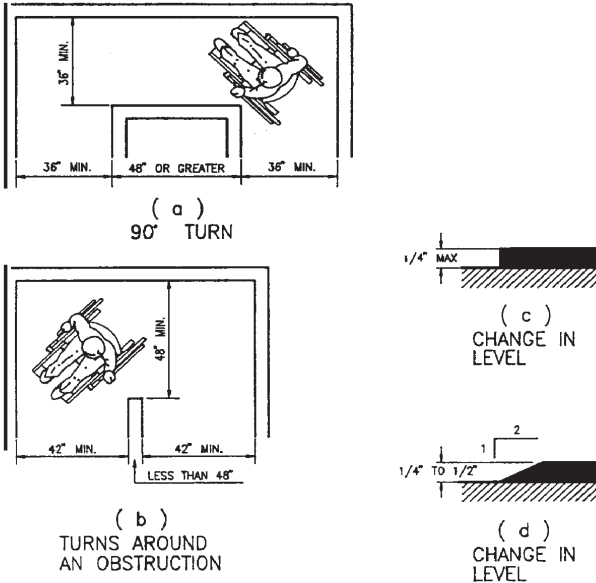


(b) T-SHAPED SPACE FOR 180° TURNS

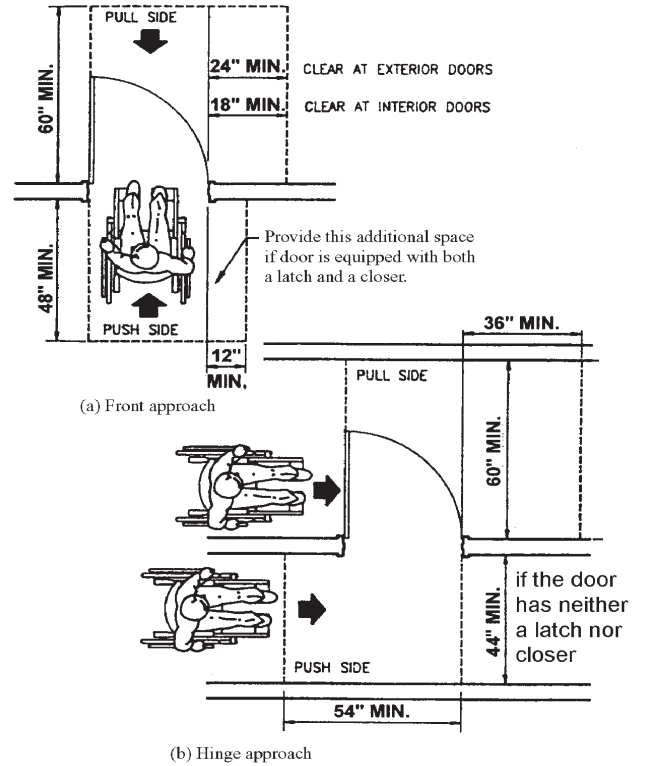
THESE DIAGRAMS ILLUSTRATE THE SPECIFIC REQUIREMENTS OF THESE REGULATIONS AND ARE INTENDED ONLY AS AN AID FOR BUILDING DESIGN AND CONSTRUCTION.

FIGURE 11B-12 - WHEELCHAIR TURNING SPACE

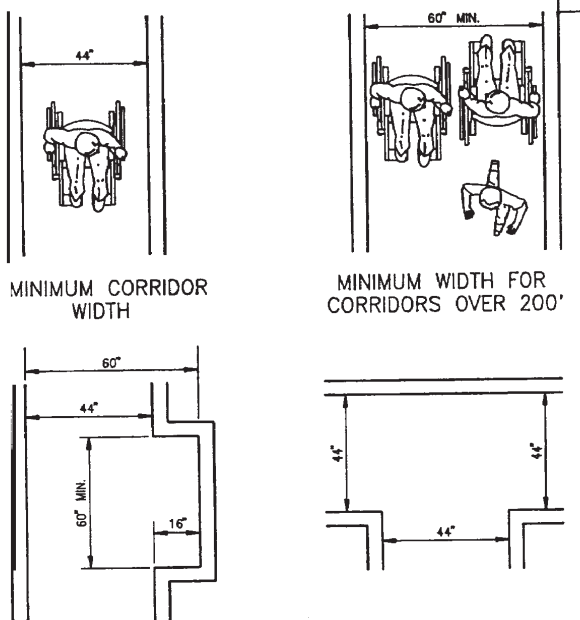
**MANEUVERING SPACE** THESE DIAGRAMS ILLUSTRATE THE SPECIFIC REQUIREMENTS OF THESE REGULATIONS AND ARE INTENDED ONLY AS AN AID FOR BUILDING DESIGN AND CONSTRUCTION.



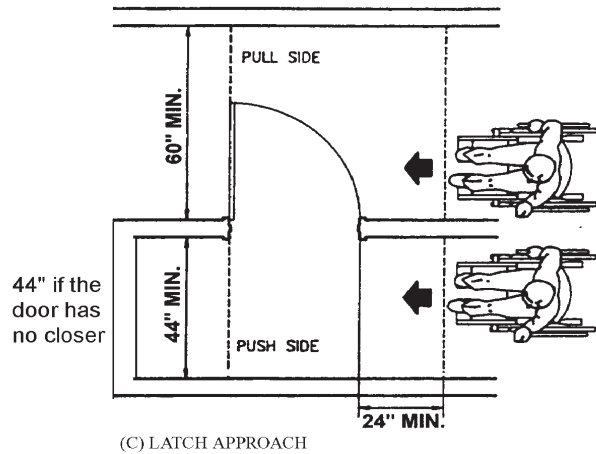
WIDTH OF ACCESSIBLE ROUTE  
FIGURE 11B-5E



LEVEL MANEUVERING CLEARANCE AT DOORS  
FIGURE 11B-26A



PASSING ALCOVES FOR CORRIDORS OVER 200' IN LIEU OF 60" MIN. WIDTH  
CORRIDOR OVER 200 FEET  
FIGURE 11B-34



LEVEL MANEUVERING CLEARANCE AT DOORS  
FIGURE 11B -26B

**MANEUVERING SPACE** THESE DIAGRAMS ILLUSTRATE THE SPECIFIC REQUIREMENTS OF THESE REGULATIONS AND ARE INTENDED ONLY AS AN AID FOR BUILDING DESIGN AND CONSTRUCTION.

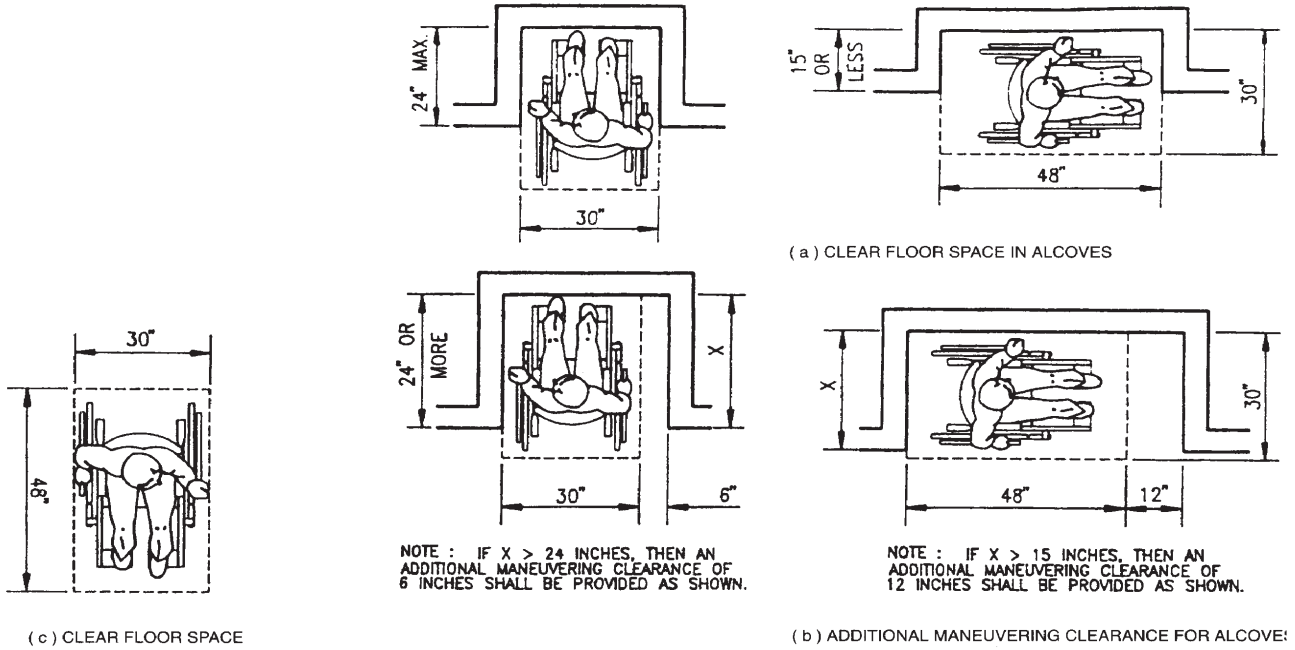


FIGURE 11B-5A—MINIMUM CLEAR FLOOR SPACE FOR WHEELCHAIRS

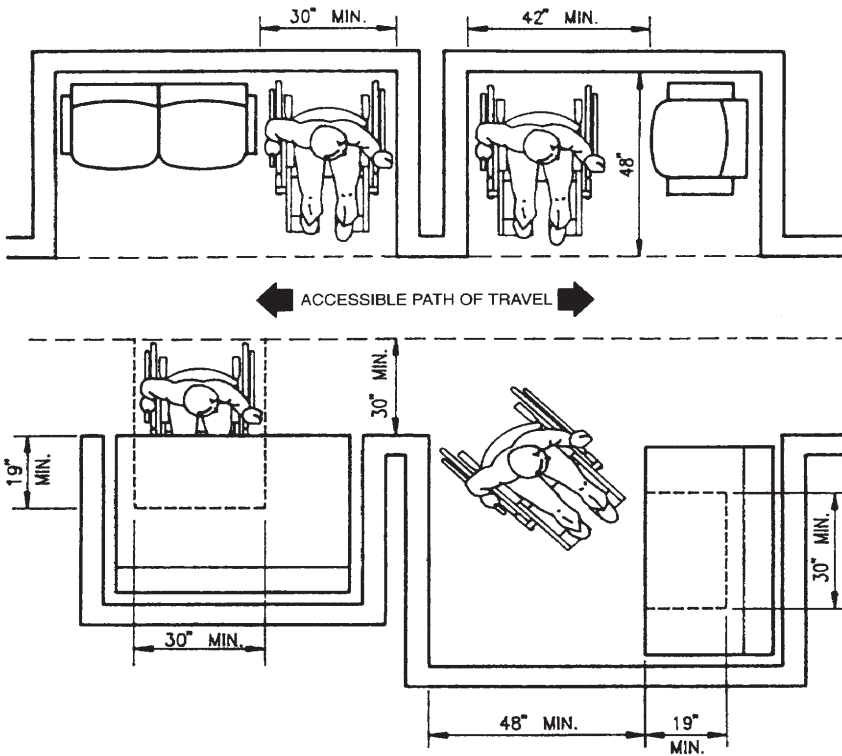
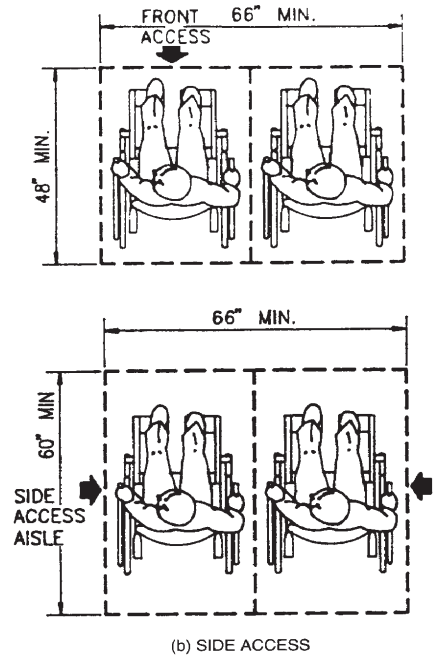


FIGURE 11B-13—MINIMUM CLEARANCES FOR SEATING AND TABLE

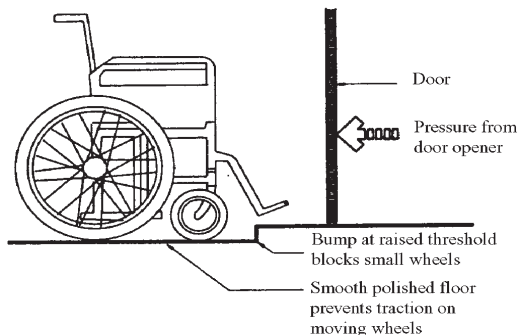


NOTE: EACH INDIVIDUAL SEATING POSITION HAS AN EGRESS ROUTE WHICH DOES NOT CROSS THROUGH OTHER SEATING POSITIONS.

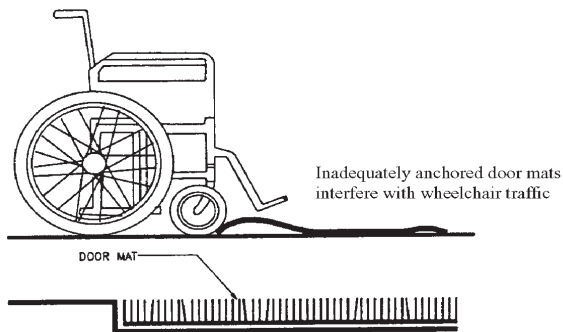
FIGURE 11B-15—SPACE REQUIREMENTS FOR WHEELCHAIR SEATING

**DOOR**

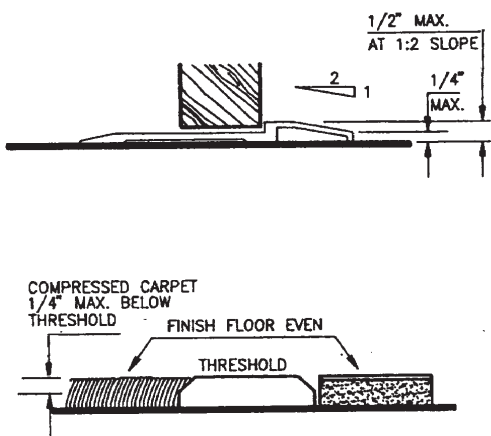
THESE DIAGRAMS ILLUSTRATE THE SPECIFIC REQUIREMENTS OF THESE REGULATIONS AND ARE INTENDED ONLY AS AN AID FOR BUILDING DESIGN AND CONSTRUCTION.



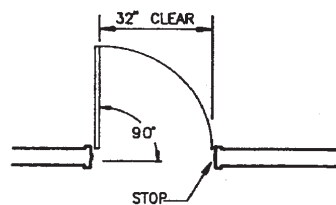
The condition shown above often makes rooms inaccessible to wheelchairs.



**OBSTRUCTIONS**  
**FIGURE NO. 11B -25**

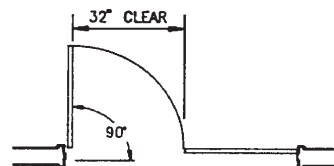


**THRESHOLDS**  
**FIGURE 11B -32**



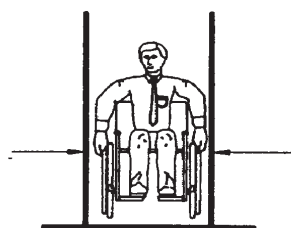
( a ) SINGLE DOOR

Clear openings must be between the door in its 90 degree opening position and the face of the stop



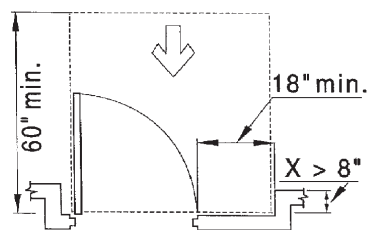
( b ) DOUBLE DOOR

Clear openings for two leaf doors must be between either door in its 90 degree open position and the edge of the other door.

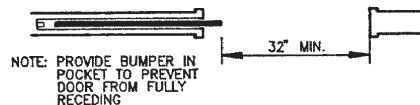


( c ) PASSAGE CLEARANCE

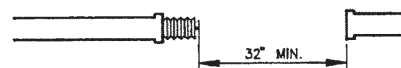
**DOOR WIDTH**  
**FIGURE 11B -5B**



( a ) HINGED DOOR



( b ) SLIDING DOOR



( c ) FOLDING DOOR

**CLEAR DOOR WIDTH AND DEPTH**  
**FIGURE 11B -33**