

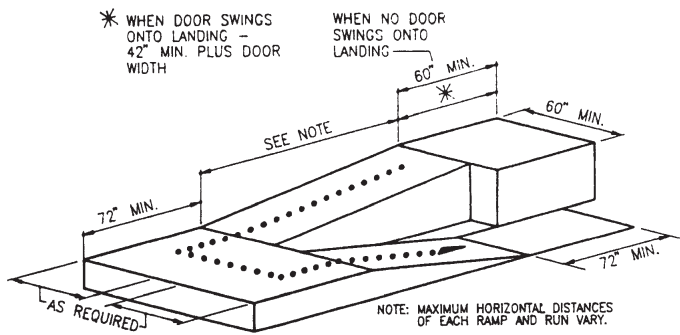


CITY OF HAWAIIAN GARDENS
 DEPARTMENT OF COMMUNITY DEVELOPMENT
 BUILDING AND SAFETY DIVISION
**ACCESSIBILITY DETAILS FOR
 RAMPS, STAIRS AND ELEVATORS**

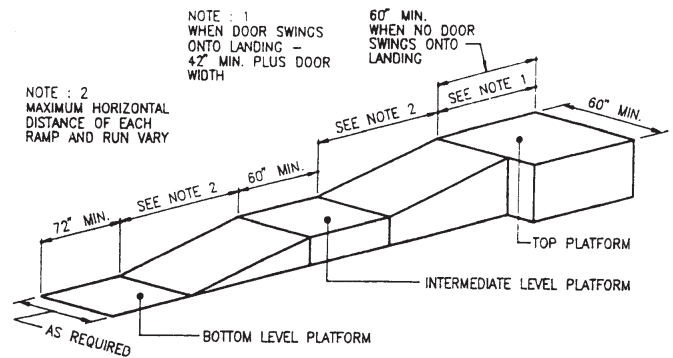
INFORMATION
 BULLETIN
A-002

Effective: 6-15-12
 Revised:
 Sheet 1 of 3

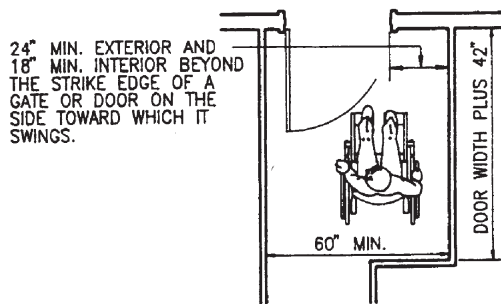
RAMPS THESE DIAGRAMS ILLUSTRATE THE SPECIFIC REQUIREMENTS OF THESE REGULATIONS AND ARE INTENDED ONLY AS AN AID FOR BUILDING DESIGN AND CONSTRUCTION.



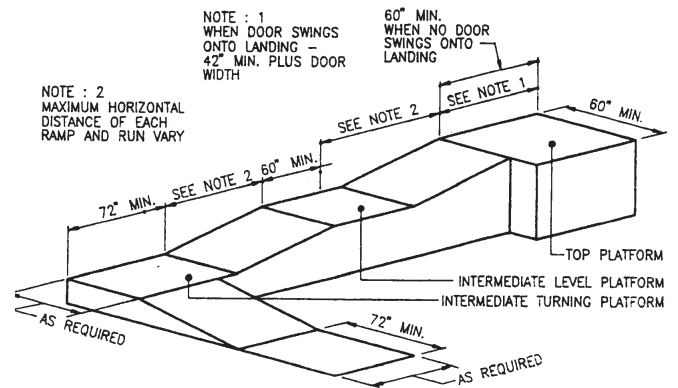
(a) RAMP WITH INTERMEDIATE SWITCH-BACK PLATFORM



(a) STRAIGHT RAMP RUN



(b) RAMP LANDING AT DOORWAY



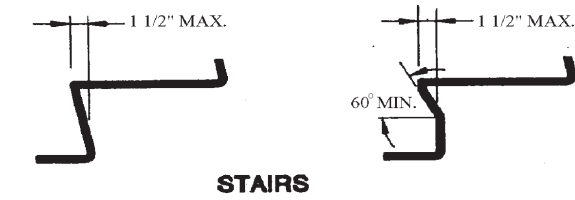
(b) RAMP LANDING AT DOORWAY

FIGURE 11B -39 -RAMP LANDING AND DOORWAY

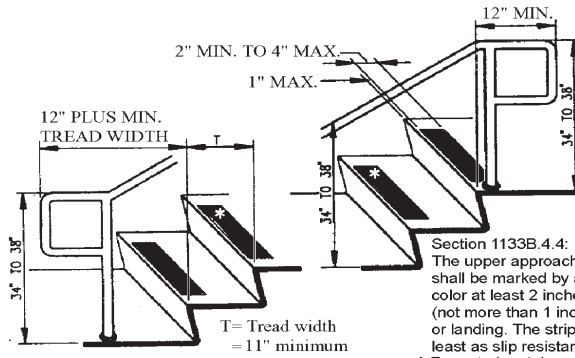
FIGURE 11B 38 -RAMP DIMENSIONS

RAMPS & STAIRS

THESE DIAGRAMS ILLUSTRATE THE SPECIFIC REQUIREMENTS OF THESE REGULATIONS AND ARE INTENDED ONLY AS AN AID FOR BUILDING DESIGN AND CONSTRUCTION.



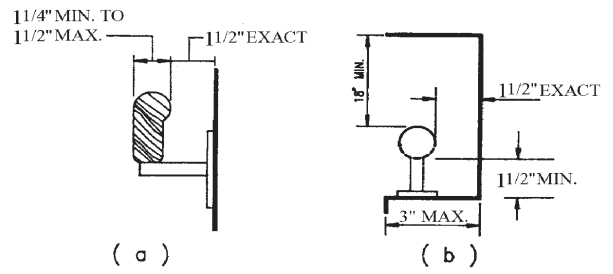
STAIRS



Section 1133B.4.4:
 The upper approach & lower tread of each stair shall be marked by a strip of clearly contrasting color at least 2 inches wide placed parallel to and (not more than 1 inch from) the nose of the step or landing. The strip shall be of material that is at least as slip resistant as the other treads of the stair.
 * For exterior stairways, all treads shall have contrasting colors as described above.

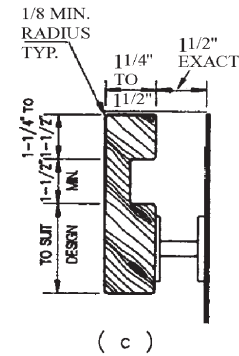
WARNING STRIPING AND HANDRAIL EXTENSIONS

FIGURE 11B -35

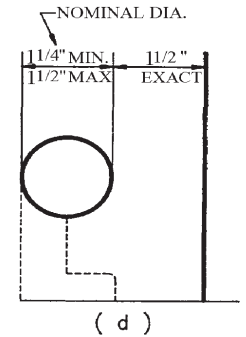


(a)

(b)



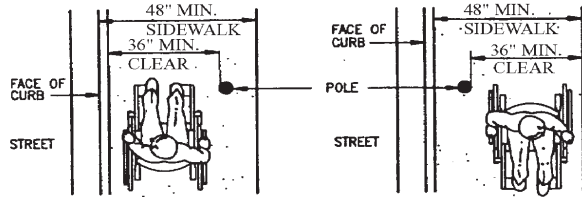
(c)



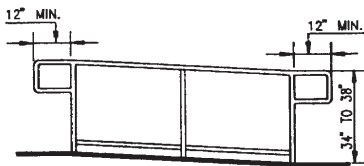
(d)

HANDRAILS

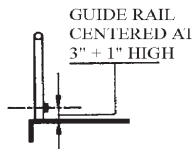
FIGURE 11B-36



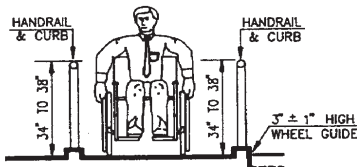
(a) SIDEWALK OBSTRUCTIONS



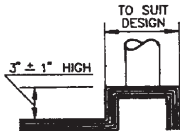
(b) GUIDE RAIL



GUIDE RAIL DETAIL



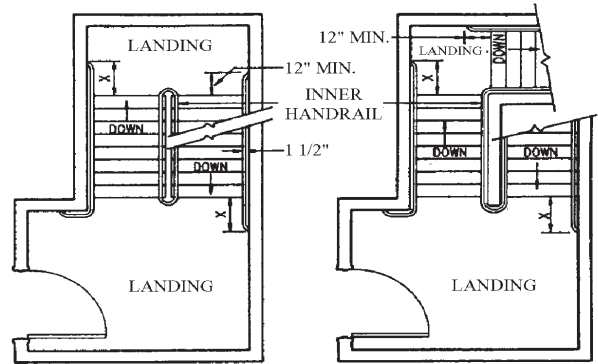
(c) WHEEL GUIDE



WHEEL GUIDE DETAIL

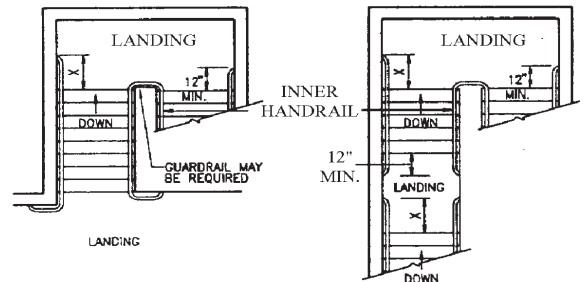
RAMPS AND SIDEWALKS

FIGURE 11B -27



Note: The inner handrail at landing of stairs that double back or immediately turn shall be continuous and shall not extend into landing or path of travel.

X: Extension of handrail shall be equal to the tread width plus 12"

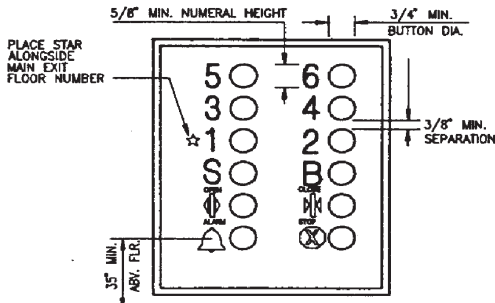


STAIR HANDRAILS

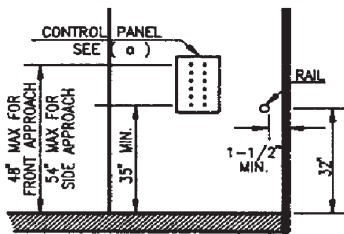
FIGURE 11B -37

ELEVATOR

THESE DIAGRAMS ILLUSTRATE THE SPECIFIC REQUIREMENTS OF THESE REGULATIONS AND ARE INTENDED ONLY AS AN AID FOR BUILDING DESIGN AND CONSTRUCTION.

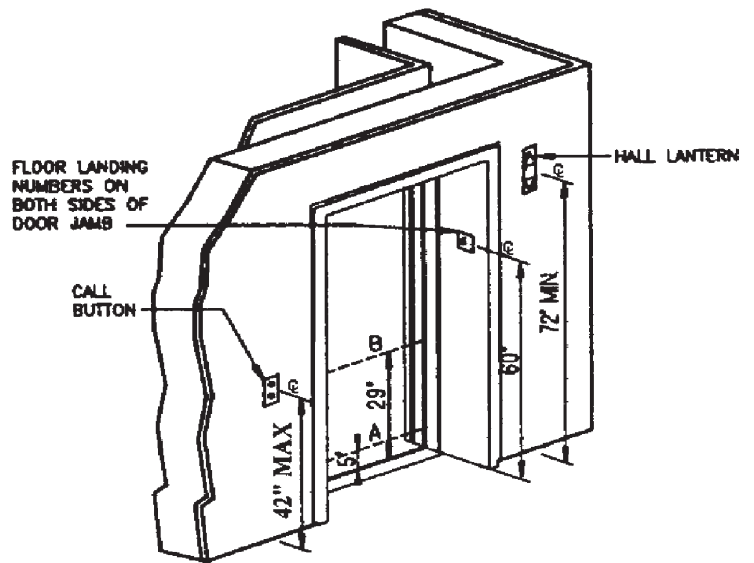


(a) ELEVATOR CONTROL PANEL DETAILS



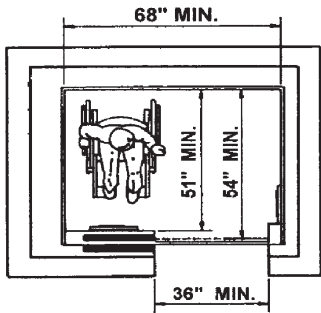
(b) MAXIMUM INSTALLATION HEIGHTS ABOVE CAB FLOOR

**ELEVATOR CONTROL PANEL
FIGURE 30-B**

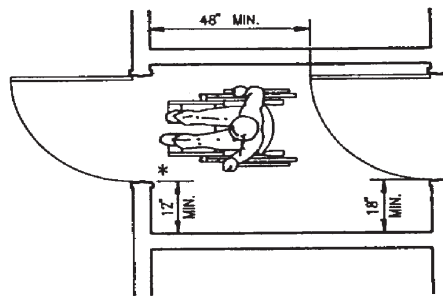


NOTE :
THE AUTOMATIC DOOR REOPENING DEVICE IS ACTIVATED IF AN OBJECT PASSES THROUGH EITHER LINE A OR LINE B. LINE A AND LINE B REPRESENT THE VERTICAL LOCATION OF THE DOOR REOPENING DEVICE NOT REQUIRING CONTACT.

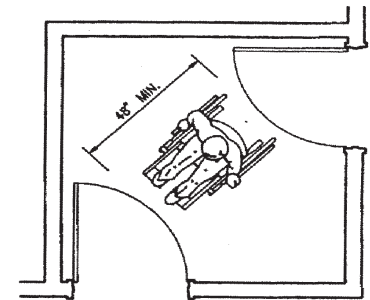
**HOISTWAY AND ELEVATOR ENTRANCES
FIGURE 30 -C**



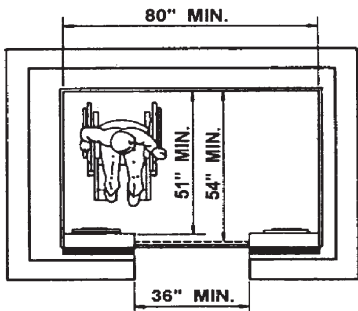
(a) SIDE OPENING DOOR



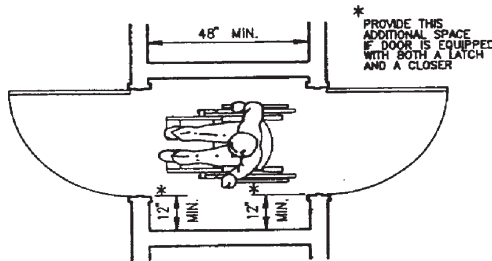
(a) DOOR IN SERIES



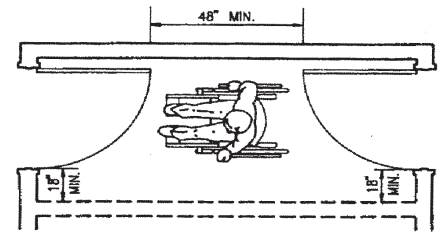
(a) DOORS AT ADJACENT WALLS



(b) CENTER OPENING DOOR



(b) BOTH DOORS OPEN OUT



(b) DOORS AT OPPOSITE WALL

**MINIMUM DIMENSIONS
OF ELEVATOR CARS
FIGURE 30-A**

**VESTIBULE
(SERVING OTHER THAN A REQUIRED EXIT STAIRWAY)
FIGURE 11B -30**

**VESTIBULE
(SERVING OTHER THAN A REQUIRED EXIT STAIRWAY)
FIGURE 11B -31**