



CITY OF HAWAIIAN GARDENS  
 DEPARTMENT OF COMMUNITY  
 DEVELOPMENT  
 BUILDING AND SAFETY DIVISION  
 21815 Pioneer Boulevard  
 Hawaiian Gardens, Ca 90716  
 (562) 420 2641

**A-003**

EFFECTIVE :  
 1-05-2015

**ACCESSIBILITY DETAILS FOR DOORS & MANEUVERING SPACES**

**11B-402.1 General.** Accessible routes shall comply with 11B-402.

**11B-402.2 Components.** Accessible routes shall consist of one or more of the following components: walking surfaces with a running slope not steeper than 1:20, doorways, ramps, curb ramps excluding the flared sides, elevators, and platform lifts. All components of an accessible route shall comply with the applicable requirements of Division 4.

**11B-403 Walking surfaces**

**11B-403.1 General.** Walking surfaces that are a part of an accessible route shall comply with Section 11B-403.

**11B-403.2 Floor or ground surface.** Floor or ground surfaces shall comply with Section 11B-302.

**11B-403.3 Slope.** The running slope of walking surfaces shall not be steeper than 1:20. The cross slope of walking surfaces shall not be steeper than 1:48.

*Exception: The running slope of sidewalks shall not exceed the general grade established for the adjacent street or highway.*

**11B-403.4 Changes in level.** Changes in level shall comply with Section 11B-303.

**11B-403.5 Clearances.** Walking surfaces shall provide clearances complying with Section 11B-403.5.

**11B-403.5.1 Clear width.** Except as provided in Sections 11B-403.5.2 and 11B-403.5.3, the clear width of walking surfaces shall be 36 inches (914 mm) minimum.

**11B-404 Doors, doorways, and gates**

**11B-404.1 General.** Doors, doorways, and gates that are part of an accessible route shall comply with Section 11B-404.

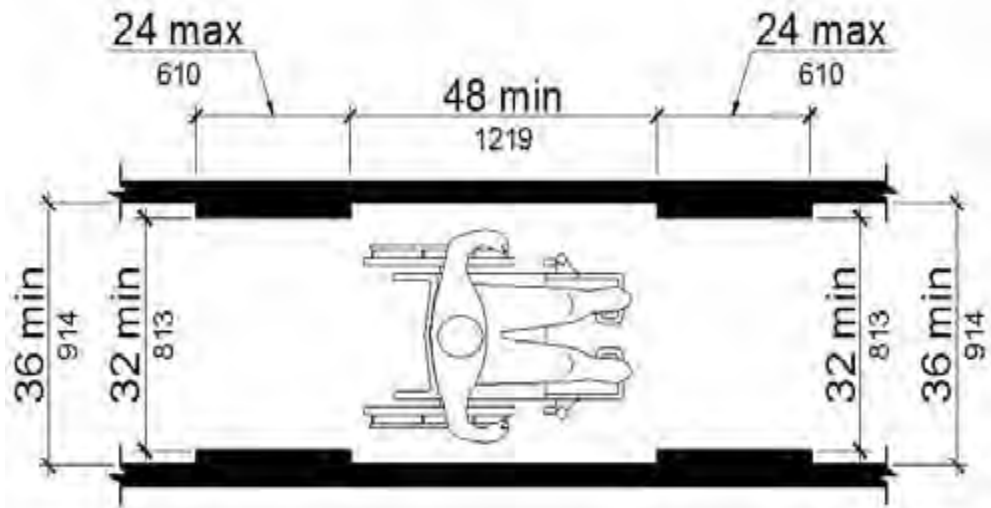


FIGURE 11B-403.5.1 CLEAR WIDTH OF AN ACCESSIBLE ROUTE

**11B-404.2.4 Maneuvering clearances.** Minimum maneuvering clearances at doors and gates shall comply with *Section 11B-404.2.4*. Maneuvering clearances shall extend the full width of the doorway and the required latch side or hinge side clearance.

**11B-404.2.4.1 Swinging doors and gates.** Swinging doors and gates shall have maneuvering clearances complying with Table 11B-404.2.4.1.

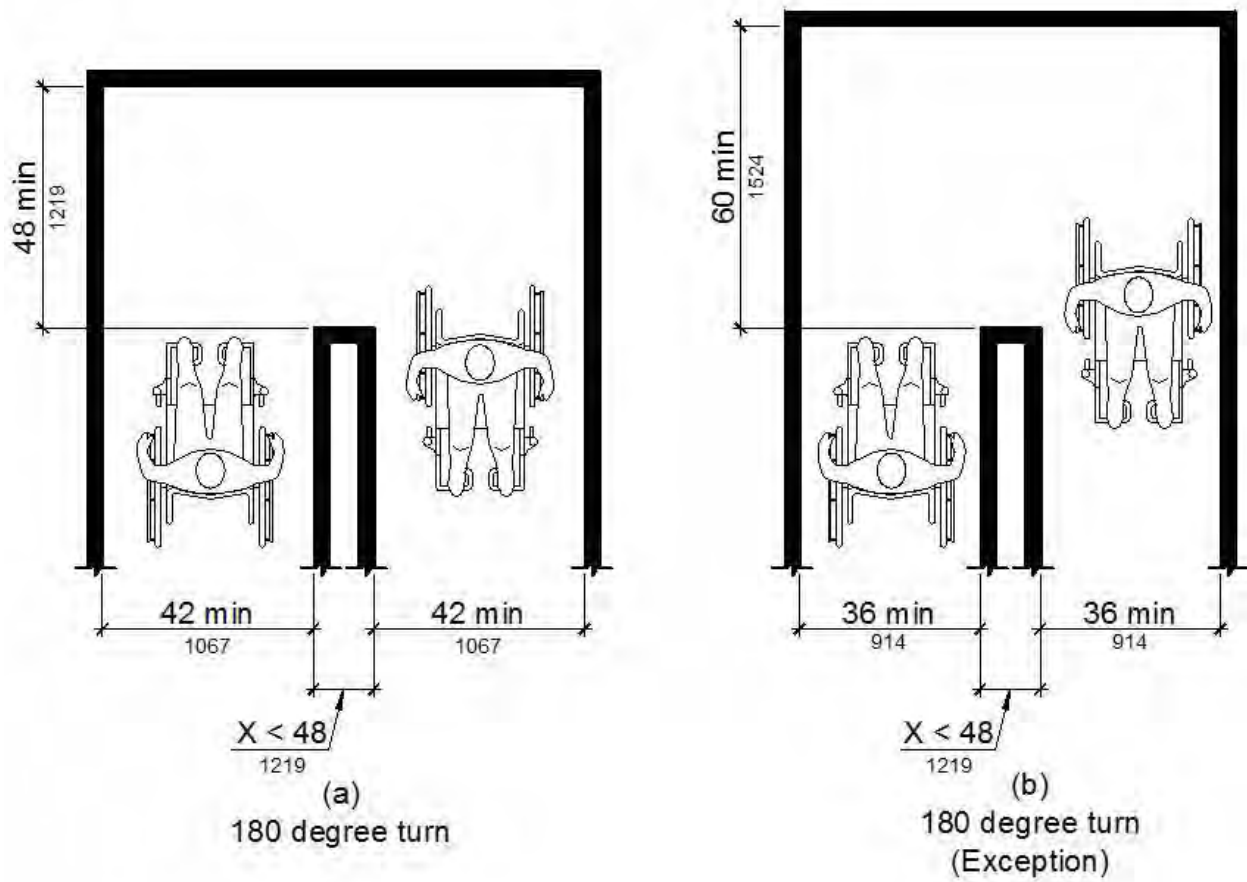


FIGURE 11-B-403.5.2 CLEAR WIDTH AT TURN

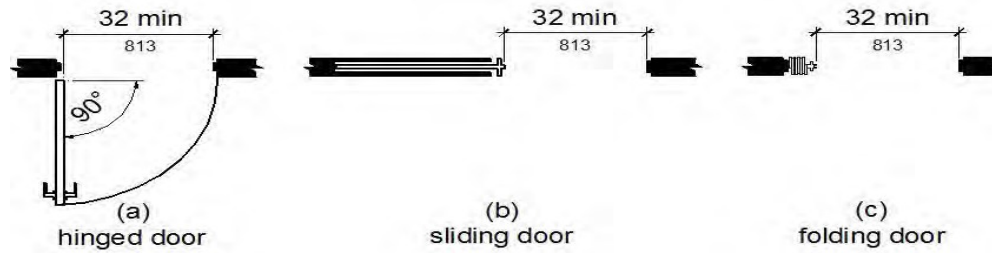


FIGURE 11B-404.2.3

CLEAR WIDTH OF DOORWAYS

TABLE 11-B-404.2.4.1

MANEUVERING CLEARANCES AT MANUAL SWINGING DOORS AND GATES

TYPE OF USE		MINIMUM MANEUVERING CLEARANCE	
Approach direction	Door or gate side	Perpendicular to doorway	Parallel to doorway (beyond latch side unless noted)
From front	Pull	60 inches (1524 mm)	18 inches (457 mm) <sup>5</sup>
From front	Push	48 inches (1219 mm)	0 inches (0 mm) <sup>1</sup>
From hinge side	Pull	60 inches (1524 mm)	36 inches (914 mm)
From hinge side	Push	44 inches (1118 mm) <sup>2</sup>	22 inches (559 mm) <sup>3</sup>
From latch side	Pull	60 inches (1524 mm)	24 inches (610 mm)
From latch side	Push	44 inches (1118 mm) <sup>4</sup>	24 inches (610 mm)

1. Add 12 inches (305 mm) if closer and latch are provided.
2. Add 4 inches (102 mm) if closer and latch are provided.
3. Beyond hinge side.
4. Add 4 inches (102 mm) if closer is provided.
5. Add 6 inches (152 mm) at exterior side of exterior doors.

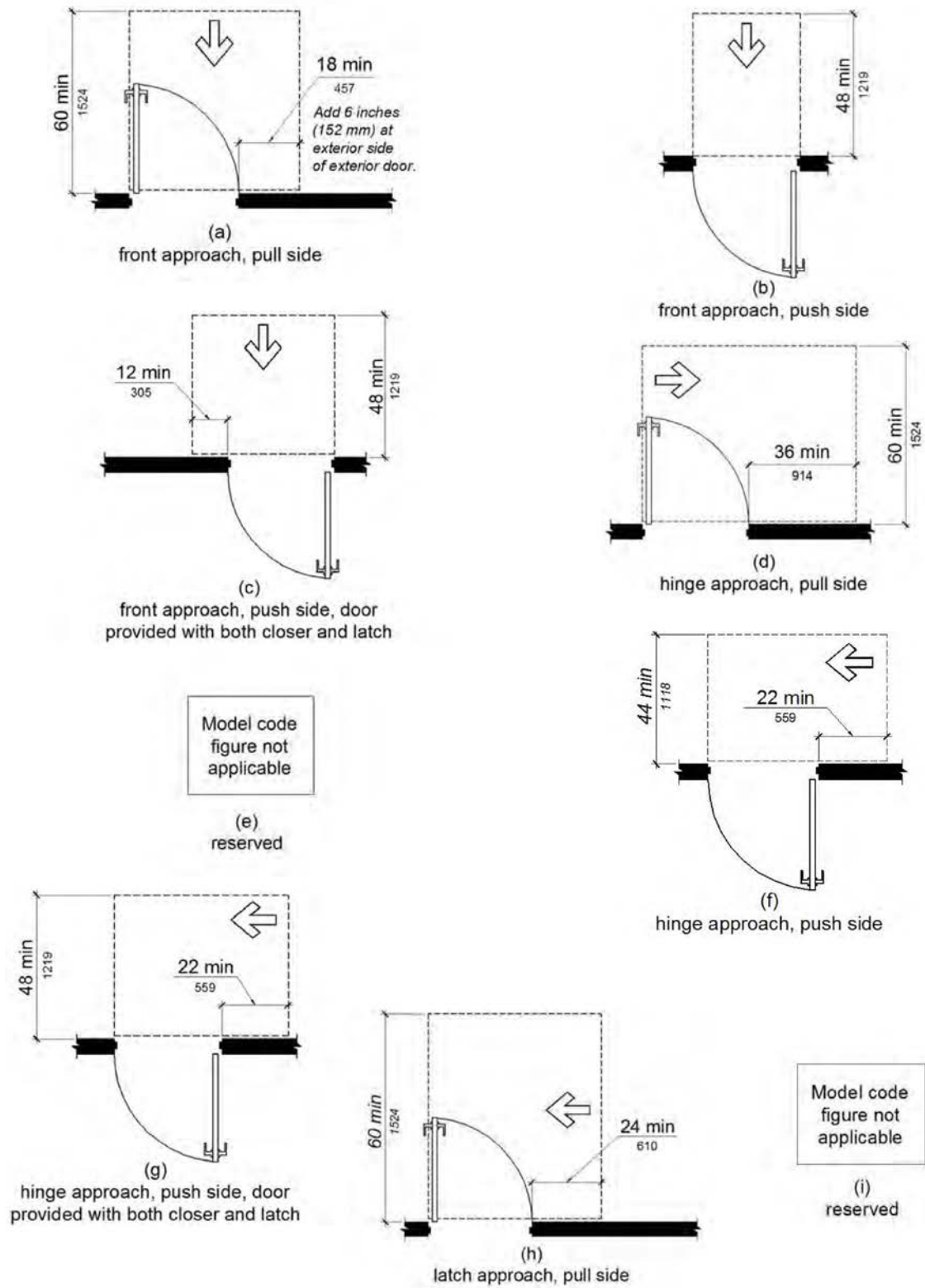
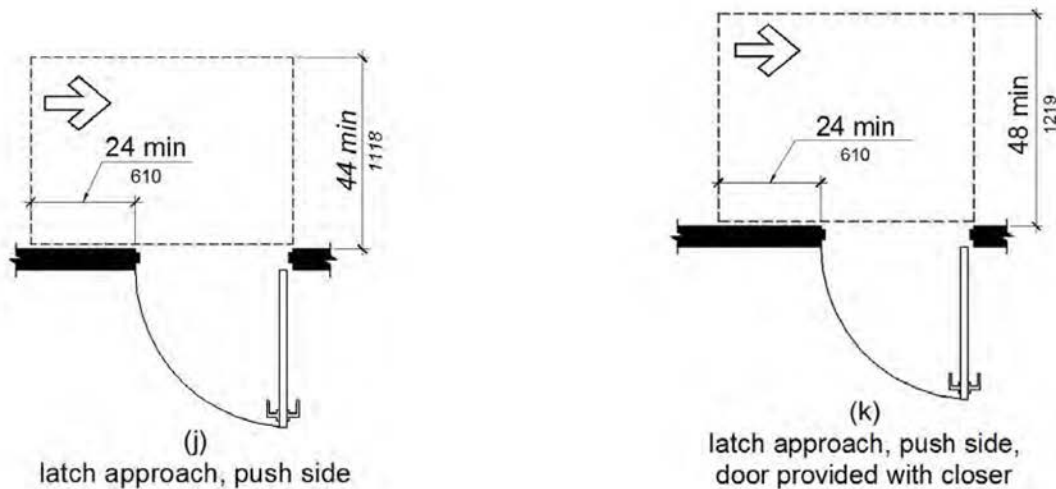


FIGURE 11B-404.2.4.1  
 MANEUVERING CLEARANCES AT MANUAL SWINGING DOORS AND GATES



**11B-404.2.4.2 Doorways without doors or gates, sliding doors, and folding doors.** Doorways less than 36 inches (914 mm) wide without doors or gates, sliding doors, or folding doors shall have maneuvering clearances complying with Table 11B-404.2.4.2.

**11B-404.2.4.3 Recessed doors and gates.** Maneuvering clearances for forward approach shall be provided when any obstruction within 18 inches (457 mm) of the latch side at an interior doorway, or within 24 inches (610 mm) of the latch side of an exterior doorway, projects more than 8 inches (203 mm) beyond the face of the door, measured perpendicular to the face of the door or gate.

**11B-404.2.4.4 Floor or ground surface.** Floor or ground surface within required maneuvering clearances shall comply with Section 11B-302. Changes in level are not permitted.

**Exceptions:**

1. Slopes not steeper than 1:48 shall be permitted.
2. Changes in level at thresholds complying with Section 11B-404.2.5 shall be permitted.

**11B-404.2.5 Thresholds.** Thresholds, if provided at doorways, shall be  $\frac{1}{2}$  inch (12.7 mm) high maximum. Raised thresholds and changes in level at doorways shall comply with Sections 11B-302 and 11B-303.

**11B-404.2.7 Door and gate hardware.** Handles, pulls, latches, locks, and other operable parts on doors and gates shall comply with Section 11B-309.4. Operable parts of such hardware shall be 34 inches (864 mm) minimum and 44 inches (1118 mm) maximum above the finish floor or ground. Where sliding doors are in the fully open position, operating hardware shall be exposed and usable from both sides.

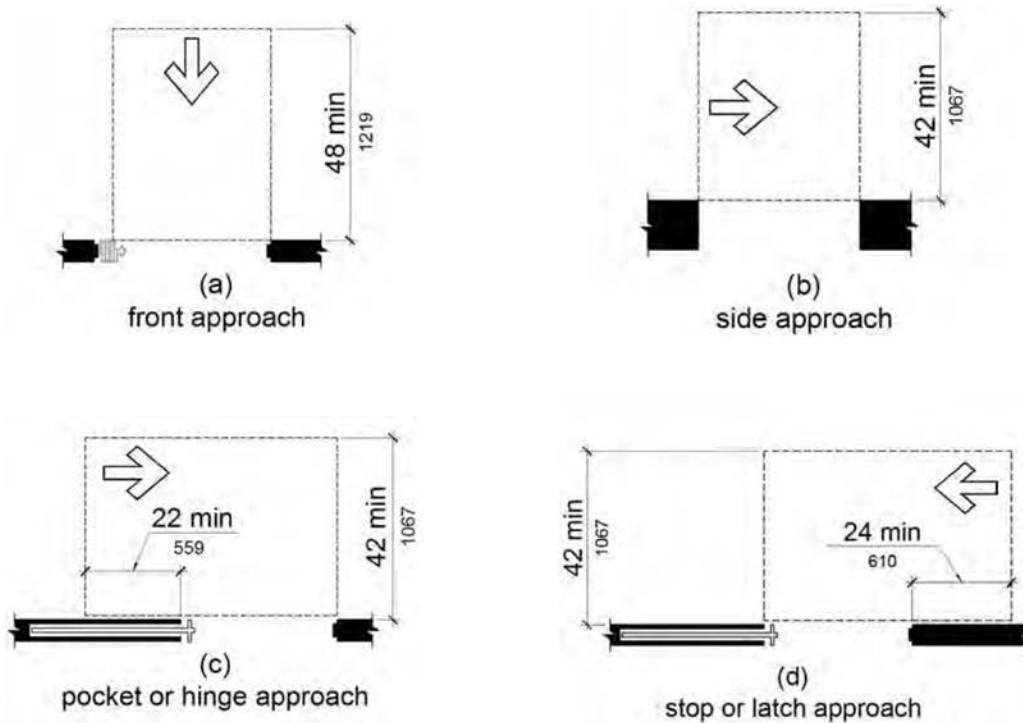
**Exceptions:**

1. Existing locks shall be permitted in any location at existing glazed doors without stiles, existing overhead rolling doors or grilles, and similar existing doors or grilles that are designed with locks that are activated only at the top or bottom rail.
2. Access gates in barrier walls and fences protecting pools, spas, and hot tubs shall be permitted to have operable parts of the release of latch on selflatching devices at 54 inches (1372 mm) maximum above the finish floor or ground provided the self-latching devices are not also self-locking devices and operated by means of a key, electronic opener, or integral combination lock.

**TABLE 11B-404.2.4.2  
MANEUVERING CLEARANCES AT DOORWAYS  
WITHOUT DOORS OR GATES, MANUAL SLIDING  
DOORS, AND MANUAL FOLDING DOORS**

Approach direction	MINIMUM MANEUVERING CLEARANCE	
	Perpendicular to doorway	Parallel to doorway (beyond stop/latch side unless noted)
From Front	48 inches (1219 mm)	0 inches (0 mm)
From side <sup>1</sup>	42 inches (1067 mm)	0 inches (0 mm)
From pocket/hinge side	42 inches (1067 mm)	22 inches (559 mm) <sup>2</sup>
From stop/latch side	42 inches (1067 mm)	24 inches (610 mm)

1. Doorway with no door only.
2. Beyond pocket/hinge side.



**FIGURE 11B-404.2.4.2  
MANEUVERING CLEARANCES AT DOORWAYS WITHOUT DOORS, SLIDING DOORS, GATES, AND FOLDING DOORS**

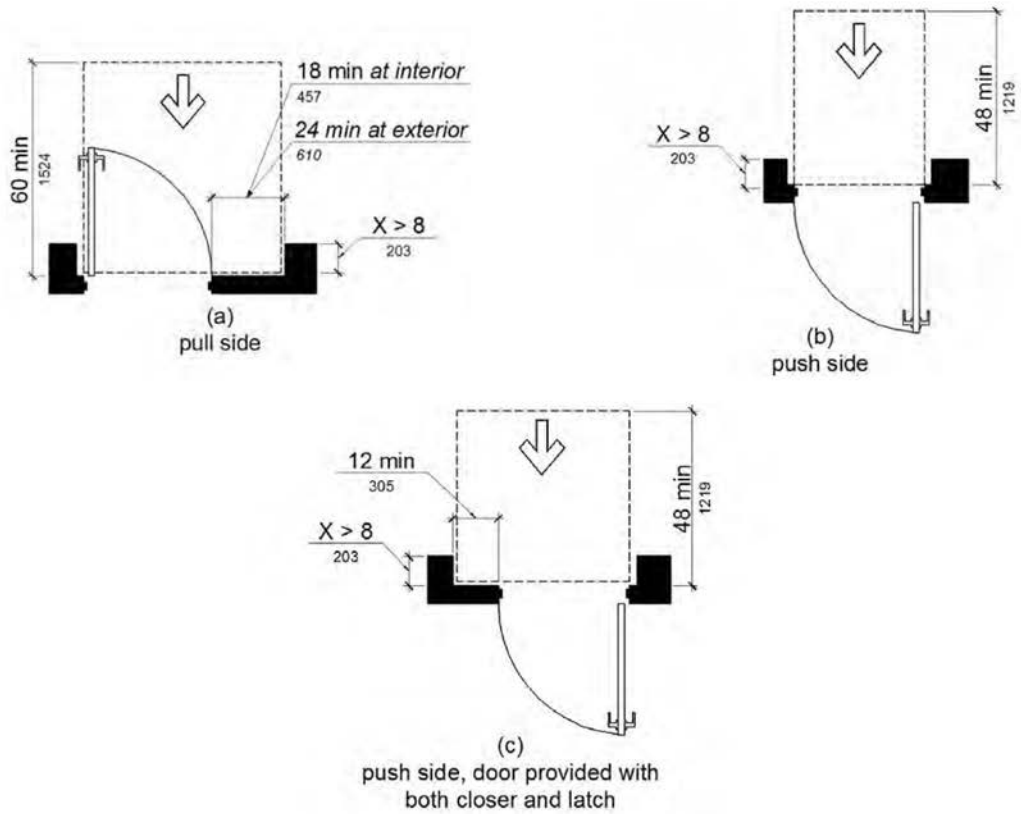


FIGURE 11B-404.2.4.3  
MANEUVERING CLEARANCES AT RECESSED DOORS AND GATES

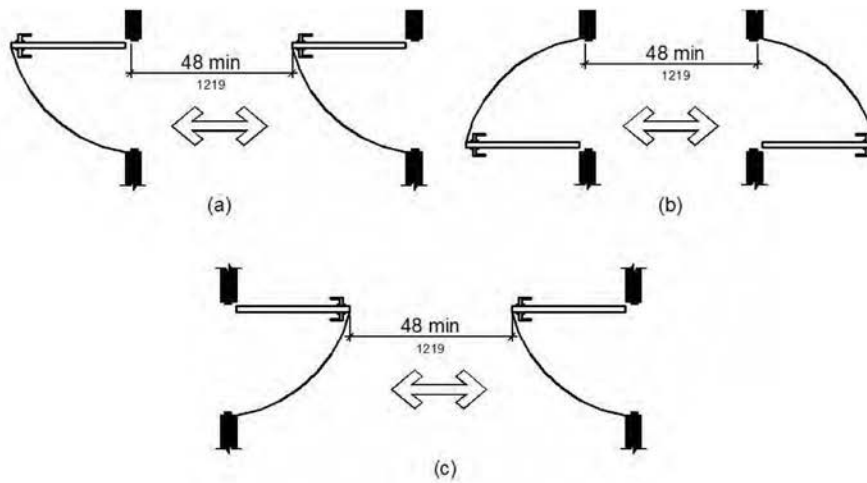


FIGURE 11B-404.2.6  
DOORS IN SERIES AND GATES IN SERIES